



### Technical Data

For detailed data and product description refer to the data sheets at [www.pepperl-fuchs.com](http://www.pepperl-fuchs.com)

#### General Data

Rated operating distance	2 mm
Installation	non-flush
Type of voltage	DC
Operating voltage	5 ... 60 V
Reverse polarity protection	tolerant
Switching frequency	0 ... 1200 Hz
Operating current	2 ... 100 mA
Short-circuit protection	pulsing
Indication of the switching state	LED, yellow
Ambient temperature	-25 ... 70 °C (-13 ... 158 °F)
Housing material	Stainless steel 1.4305 / AISI 303
Protection degree	IP67

### Properties

- Ø8 mm housing
- 2 mm, non-flush mountable
- DC, 2-wire switching output
- Cable and connector versions

#### Model Number

			NCN2-8GM40-Z0	NBN2-8GM40-Z1	NCN2-8GM40-Z1	NCN2-8GM50-Z0-V3	NCN2-8GM50-Z1-V3
Switching element function	DC NO		●			●	
	DC NC			●	●		●
Connection type	Device connector M8 x 1 , 3-pin					●	●
	cable PUR , 2 m		●		●		
	cable PVC , 2 m			●			

#### Approvals and Certificates

UL approval	cULus Listed, General Purpose	●	●	●	●	●	●
CSA approval	cCSAus Listed, General Purpose	●	●	●	●	●	●
CCC approval	Certified by China Compulsory Certification (CCC)	●	●	●	●	●	●

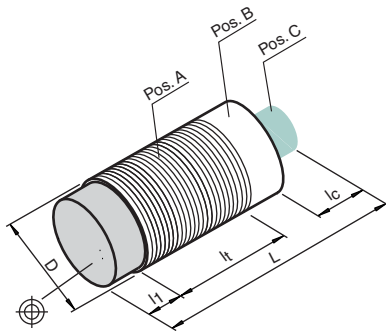
#### Dimensions

Length L [mm]		40	51
Diameter D [mm]		8	
Thread length l <sub>t</sub> [mm]		36	44
Cap length l <sub>1</sub> [mm]		4	
Connector area l <sub>c</sub> [mm]		0	6
LED position		Pos. C	

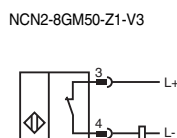
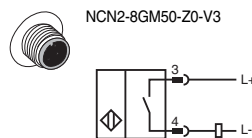
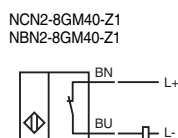
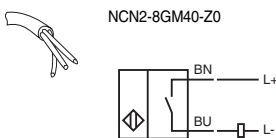
### Accessories

This and more accessories can be found in chapter 10  
See pages from 972 ... for cordsets See pages 1068 ... for mounting aids

<b>V3-WM-2M-PUR</b>	Cable socket, M8, 3-pin, PUR cable
<b>BF 8</b>	Mounting flange, 8 mm
<b>EXG-08</b>	Quick mounting bracket with dead stop
<b>V3-GM-2M-PUR</b>	Cable socket, M8, 3-pin, PUR cable
<b>V3-GM</b>	Female connector, M8, 3-pin, field attachable



### Electrical Connection



Wire colors in accordance with EN 60947-5-2

1	BN	(brown)
3	BU	(blue)
4	BK	(black)

Date of issue 04/08/2015

Refer to "General Notes Relating to Pepperl+Fuchs Product Information".

Pepperl+Fuchs Group  
www.pepperl-fuchs.com

USA: +1 330 486 0001  
fa-info@us.pepperl-fuchs.com

Germany: +49 621 776 4411  
fa-info@de.pepperl-fuchs.com

Singapore: +65 6779 9091  
fa-info@sg.pepperl-fuchs.com

Courtesy of Steven Engineering, Inc - (800) 258-9200 - sales@steveng.com - www.stevenengineering.com